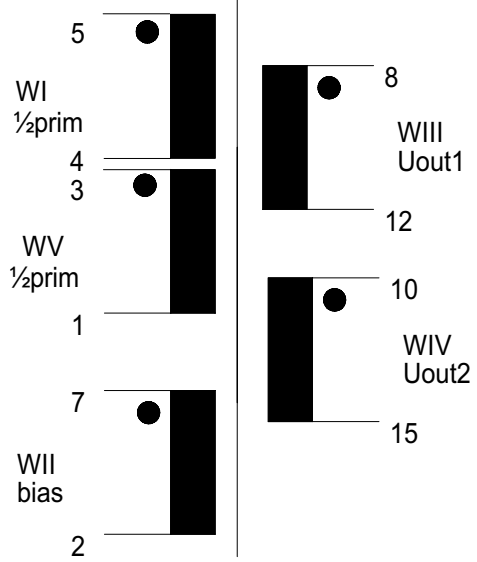
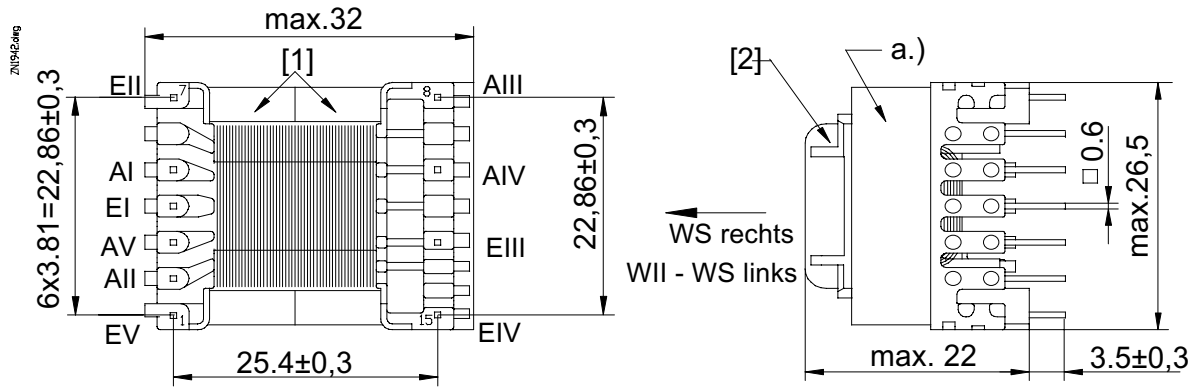


Technical Data Sheet

Customer:
Kaschke Göttingen

Part designation:
SP-EF 25

Customer part no.:
SKOP245-30-45



Core / material / air gap / AL	E25/7 K2006 or equiv.	
Nominal inductance	LI+LIV = 504µH ±10%	
maximum transmissible power	45W	
Working frequency	132 kHz	
Transformation ratio	1:0,21:0,50:0,5:1	
dielectric strength (50Hz/2s)	Prim-Sec = 3,75KV	
Nominal Current		
Design in comp. with standard	EN 61558	
Working / storage temperature	-25°C- 120°C	-25°C- 85°C
Miscellaneous	F (DIN 40040)	

Remarks : **a.) marking**
Uout1=Uout2=30V

Measuring device of L: **W&K 3245** Measuring conditions of L: **50 mV/10 KHz**

Measured quantity	Unit	No. 1	No. 2	No. 3	No. 4	No. 5

Responsible person: **Uwe Dickhut** Date: **23.12.2004** Design regulation no.: **095.951** Index: **a**

PLEASE GIVE US YOUR WRITTEN RELEASE
Date Signature