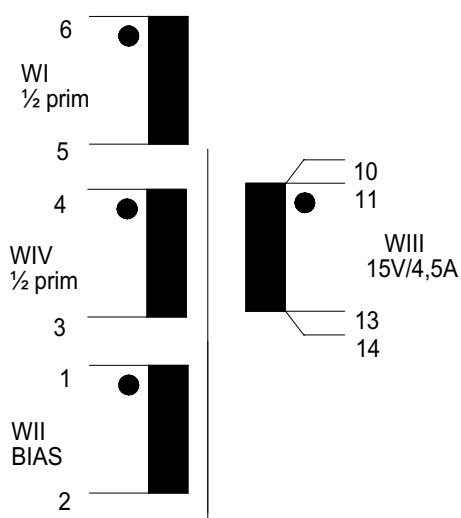
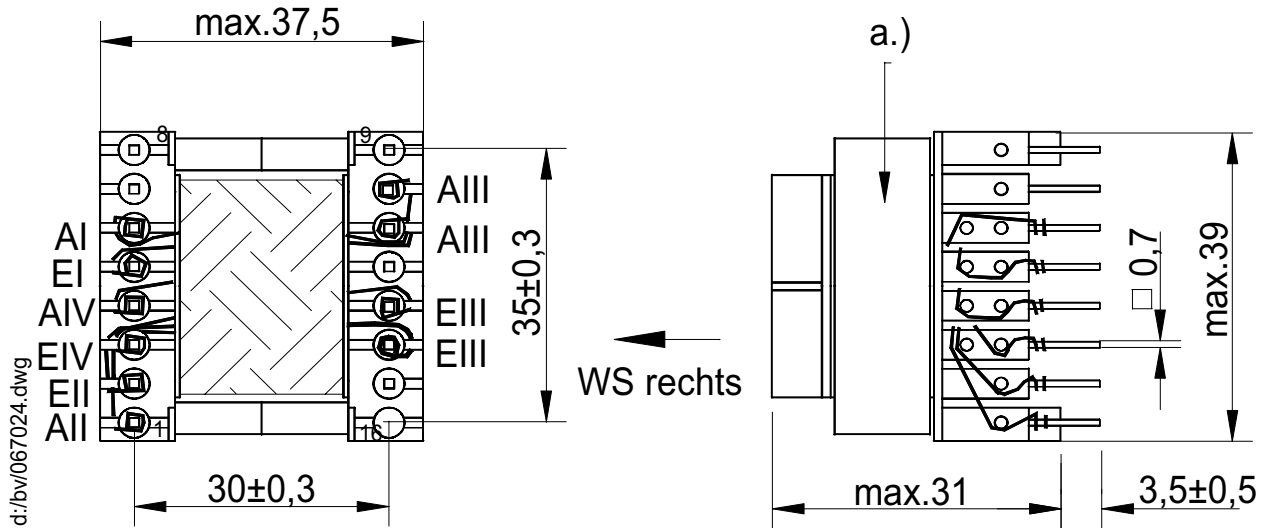


Technical Data Sheet

Customer:
Kaschke Göttingen

Part designation:
SP-E 36/11

Customer part no.:
SKOP248-30-100



Core / material / air gap / AL	E36/11 / K2008 or equiv. / 0,9	
Nominal inductance	LI+IV= 178µH ±10%	
maximum transmissible power		
Working frequency		
Transformation ratio	1:0,266:0,6:1	
dielectric strength (50Hz/2s)	3,75kV (WI/WII/WIV - WIII)	
Nominal Current		
Design in comp. with standard	I08	
Working / storage temperature	-25°C- +115°C	-25°C- +85°C
Miscellaneous	F (DIN 40040)	

Remarks : **a.) making**

Measuring device of L: W&K 3260A		Measuring conditions of L: 50mV/10kHz/22,5°C				
Measured quantity	Unit	No. 1	No. 2	No. 3	No. 4	No. 5

Responsible person: **Uwe Dickhut** Date: **..** Design regulation no: **067.039** Index: **a**

PLEASE GIVE US YOUR WRITTEN RELEASE
Date Signature