

MATERIALS

U.FL connector (f, m)

Part Name	Material
Shell	PH Bronze, Silver plated
Male center contact	Brass, Gold plated
Female center contact	PH Bronze, Gold plated
Insulator - Plug	PBT, black
Insulator - Receptacle	LCP, beige

Cable

Part Name	Material
Insulation	PFA
Conductor construction	ultra fine Teflon, (Dia 0,8 mm), single shield Min. radius for exceptional bending: 5 mm Min. radius for repeated bending: 10 mm

MCX connector

Part Name	Material
Body	Brass, Gold plated
Contact	BeCu, Gold plated
Lock Washer	Steel, Gold plated
Nut	Brass, Gold plated
Insulator	Teflon, Nature
Ferrule	Brass, Gold plated

USAGE PRECATIONS

Connection and disconnection of connectors

To disconnect U.FL connectors, hook the tools onto the connector cover and pull off vertically in the direction of the connector-coupling axis. To remove the connector directly, hold the connector cover and pull off vertically in the direction of the connector-coupling axis. (Please exercise caution so as not to injure fingertips or nails.)

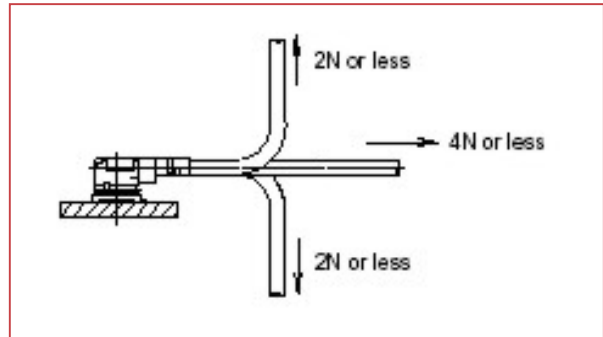
To couple the connectors, the coupling axes of both connectors are aligned and the connectors are inserted as perpendicularly as possible. Do not attempt to insert on an extreme angle.

Permissible load on the cable after connector coupling

After the connectors are coupled, do not apply a load to the cable in excess of the values indicated in the diagram below.

Precautions

Please note that excessive twisting in the action of insertion or removal will cause damage of the cable, connectors or coupling.



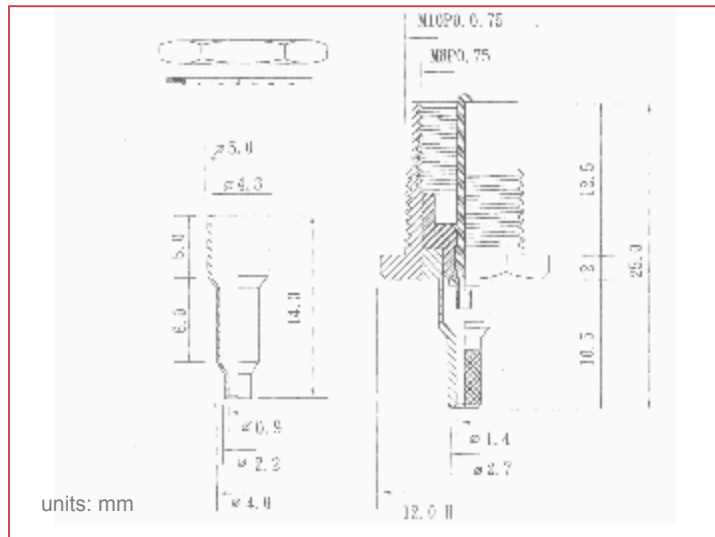
DIMENSIONS

FME connector (m)

FME connector (male) is miniature screw lock coaxial connector. The connector styles are available for flexible and conformable cables. Connector is designed for mobile radio and wireless communication area due its compact size and durability.

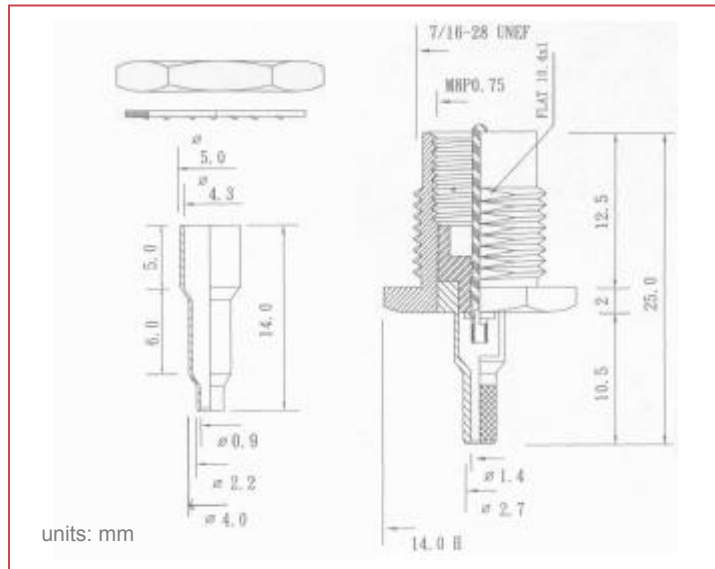
FME STANDARD (m)

FME STANDARD connector with hexagon - 12.0 H, outside screw threads – M10, body finish plating – Nickel/Gold.



FME MASSIVE (m), FME MASSIVE SUCO (m)

FME connector with hexagon - 14.0 H, outside screw threads – 7/16-28 UNEF, body finished plating – Nickel/Gold or SUCO*/Gold.



* SUCO plating - 3 layers of the white Bronze (anti-corrosion)

